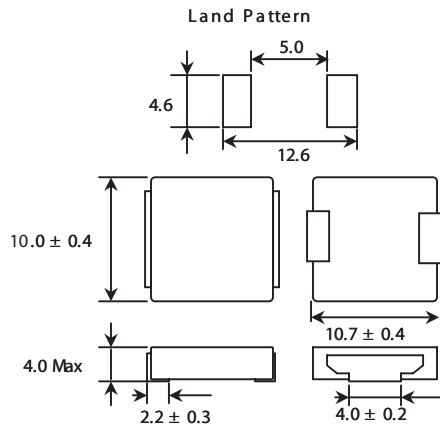


**Mechanical Specification**



Dimensions: mm

**Applications**

- PDA/Notebook/Desktop/Server applications
- Low profile, high current power supplies
- Battery powered devices
- DC/DC converters for power system distribution

**Special Features**

- Shield construction
- Frequency range up to 5MHz
- Lowest DCR/uH
- Low buzz noise

**Notes**

- Inductance : 100kHz, 100mV
- Tolerance of inductance : ±20%
- Saturation rated current : 20% lower than its initial value
- Temperature rise current : ΔT= 40%
- Operating temperature : -55°C~120°C
- All test data is referenced to 25°C ambient

**Electrical Specification**

**VV-5400 SERIES**

Part Number	Inductance (μH)	DCR (Typical, mΩ)	DCR (Max, mΩ)	Saturation Rated Current (Typical, A)	Temperature Rise Current (Typical, A)
VV-5400-R22	0.22	1.1	1.5	50.0	32.0
VV-5400-R36	0.36	1.3	1.4	60.5	31.5
VV-5400-R56	0.56	1.7	1.8	49.0	27.5
VV-5400-1R0	1.00	3.7	4.1	36.0	17.5
VV-5400-1R5	1.50	5.3	5.8	27.5	15.0
VV-5400-2R2	2.20	8.2	9.0	25.6	12.0
VV-5400-3R3	3.30	10.8	11.8	18.6	10.0
VV-5400-4R7	4.70	15.0	16.5	17.0	9.5
VV-5400-5R6	5.60	17.6	19.3	16.0	8.5
VV-5400-8R2	8.20	21.2	23.3	13.5	8.0
VV-5400-100	10.00	33.2	36.5	12.0	6.8
VV-5400-150	15.00	85.0	90.0	7.0	3.5
VV-5400-220	22.00	116.5	120.0	3.0	2.0